

Turntable MAX 50 kg

Electric turntable with a maximum load of 50 kg (standing), 25 kg (hanging) or 10 kg (wall-mounted)

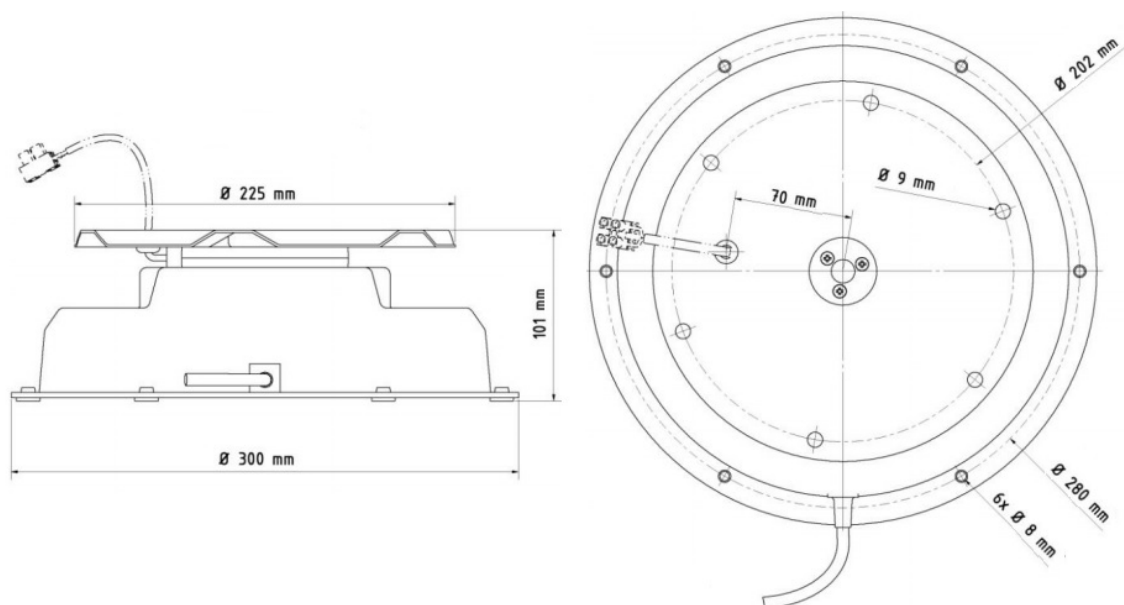


Specifications

- Diameter: \varnothing 225 mm
- Height: 100 mm
- Dead weight: 3.3 kg (without collecting ring) or 3.9 kg (with collecting ring)
- Housing material: metal construction, white plastic
- Speed: 2.5 rotations/min
- Direction: clockwise
- Power consumption: 6 W
- Power supply: 230 VAC, 50 Hz
- Length of grounded plug with cord: 2 metres
- Provided with a safety clutch
- Provided with 6 holes for mounting a presentation disc (see drawing)

Options

- On-board sliding contact (230 VAC, 900 W, 4 A)
- MDF presentation disc of \varnothing 30 cm - \varnothing 60 cm to mount on the turntable



[Check out Turntable MAX 50 kg online](#)

Pre-Motion Presentation Systems B.V. • Faradaystraat 16 • 6718 XT Ede • The Netherlands

info@pre-motion.nl • pre-motion.com • +31 (0)318 505 780